

ICOM

INSTRUCTION MANUAL

UHF TRANSCEIVER
IC-U11

Icom Inc.



IMPORTANT

READ ALL INSTRUCTIONS carefully and completely before using the transceiver.

SAVE THIS INSTRUCTION MANUAL. This manual contains important safety and operating instructions for the IC-U11.

CAUTIONS

NEVER use an unauthorized battery pack with this transceiver. Use only the Icom CM-80 BATTERY PACK.

NEVER expose the transceiver to rain, snow or any liquids.

NEVER disassemble the transceiver. Incorrect reassembly may result in a fire hazard or an electric shock.

NEVER allow children to touch the transceiver.

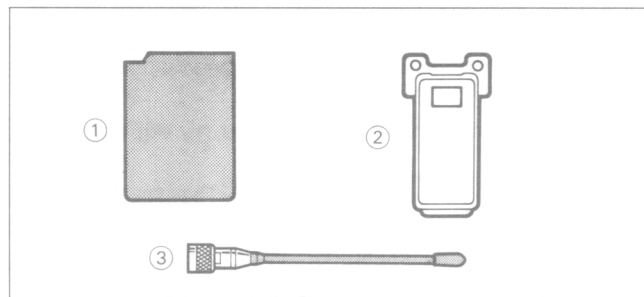
FOREWORD

Thank you for purchasing Icom's advanced IC-U11 UHF TRANSCEIVER.

The IC-U11 is designed for easy operation in a rugged environment and can be operated with a simple 5-Tone system when an optional* unit is installed.

* The unit is NOT supplied by Icom. Ask your Icom Dealer for details.

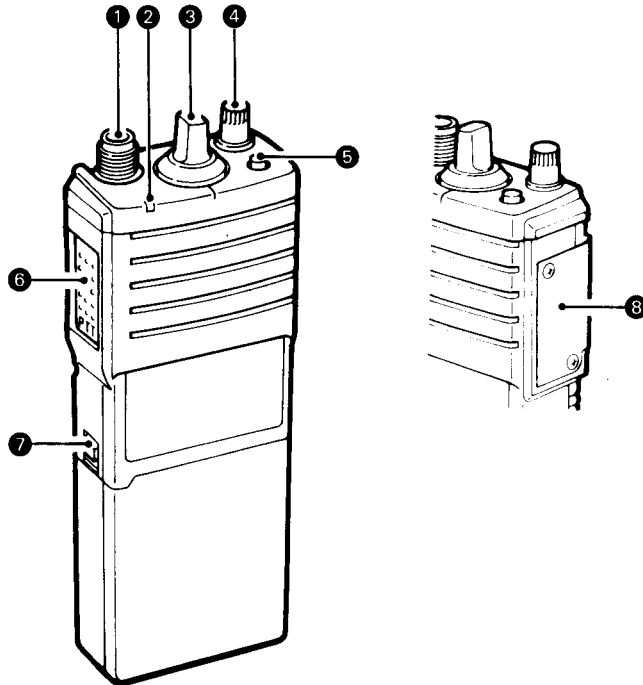
UNPACKING



Accessories included with the IC-U11	Qty.
① Battery pack (CM-80).....	1
② Alligator clip (MB-22)	1
③ Flexible antenna (FA-450TA).....	1

CONTROL FUNCTIONS

1



① ANTENNA CONNECTOR

Connects the supplied flexible antenna.

② TRANSMIT/BUSY INDICATOR [TX/BUSY]

Lights up in red while transmitting.

Lights up in green when the selected channel is busy.

③ CHANNEL SELECTOR

Selects an operating channel.

④ POWER SWITCH/VOLUME CONTROL [PWR/VOL]

Turns power ON and varies the audio output level.

⑤ MONITOR SWITCH [MONITOR]

Allows you to monitor a signal on the selected channel when an optional UT-54 CTCSS UNIT is installed.

This switch can also be used for 5-Tone operation depending on your system application. Ask your Icom Dealer for details.

⑥ PTT SWITCH

Push to transmit, and release to receive.

⑦ BATTERY PACK RELEASE BUTTON

Allows the battery pack to be removed from the transceiver.

⑧ EXTERNAL SPEAKER-MICROPHONE JACKS

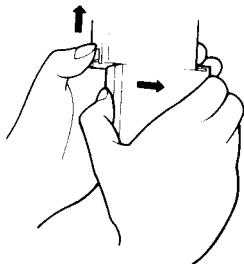
Accepts an optional EM-49 SPEAKER-MICROPHONE.

■ Battery pack replacement

Before replacing the battery pack, [PWR/VOL] MUST be fully rotated counterclockwise until a click sound is heard to turn OFF power.

- ① **To REMOVE the battery pack from the transceiver:**
Push and hold the battery pack release button upward, then slide the battery pack to the right with the transceiver facing you.
- ② **To ATTACH the battery pack to the transceiver:**
Mate the notched ends between the battery pack and the transceiver, then slide the battery pack until a click sound is heard from the latch.

• Battery pack removal

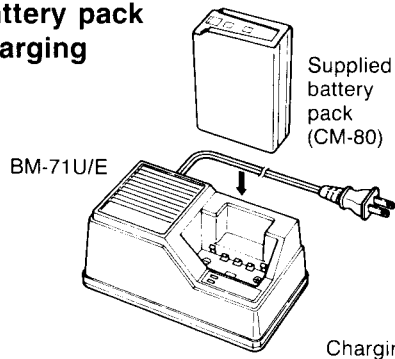


■ Battery pack charging

Prior to using the transceiver for the first time, the battery pack MUST be fully charged using an optional BM-71U/E AC BATTERY CHARGER.

- 1) Connect the AC power cable to an AC outlet.
- 2) Put the battery pack into the charging slot of the BM-71U/E.
 - The red indicator of the BM-71U/E lights up while charging.
 - When the battery pack is attached to the transceiver, [PWR/VOL] MUST be OFF.
 - Average charging time is about 1 hour.
 - When charging is completed, the red indicator goes out.

• Battery pack charging



■ Battery pack cautions

NEVER expose the battery pack to fire, as internal battery gas may cause an explosion.

NEVER put the battery in water. If the battery pack is wet, be sure to wipe it dry.

NEVER short circuit the terminals of the battery pack, as internal components may be damaged and current may flow into nearby metal objects.

AVOID charging the battery pack in extreme cold (under 0°C) or extreme heat (over +40°C). The battery pack may not be charged fully at these extremes of temperature.

When the operating time between successive charges becomes much shorter than that for a new battery pack, the battery pack may be reaching the end of its operating life. At this time, a new battery pack should be purchased.

■ Low battery condition

When the [TX/BUSY] indicator goes out or does not light up while transmitting, the battery pack should be charged or replaced with a fully charged battery pack.

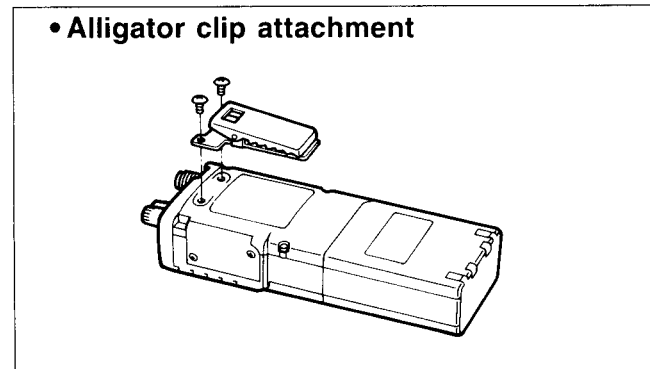
■ Antenna connection

Connect the supplied flexible antenna into the antenna connector on the top panel of the transceiver. Screw down securely.

■ Alligator clip attachment

The supplied alligator clip is helpful for carrying the transceiver.

Remove the 2 screws from the rear panel, then attach the alligator clip to the transceiver with the 2 screws.



When a 5-Tone unit is installed, operation differs from the following description. Ask your Icom Dealer for details.

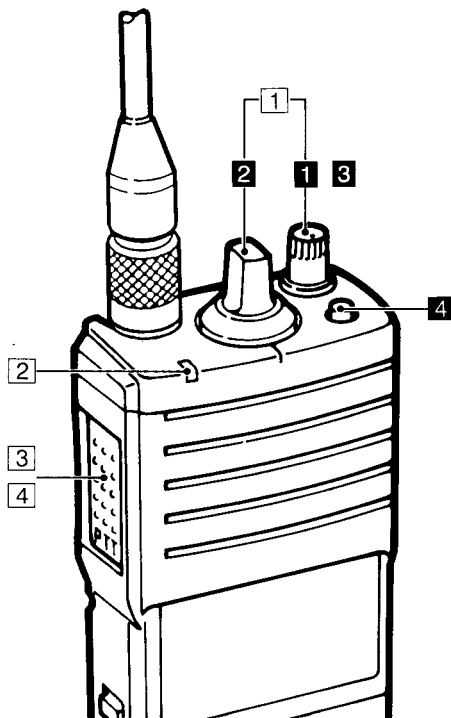
■ Receiving

- 1 Set [PWR/VOL] to the 10 o'clock position.
 - Power comes ON.
- 2 Set the channel selector to the desired channel.
- 3 When receiving a call, adjust [PWR/VOL] to the desired listening level, if needed.
- 4 When the channel is busy (green indicator lights but no audio), the [MONITOR] switch allows you to monitor the channel.

■ Turning power OFF

Rotate [PWR/VOL] counterclockwise until a click sound is heard.

- Power is now OFF.



■ Transmitting

CAUTION:

Transmitting without an antenna may damage the transceiver.

- 1 Turn ON power and set the channel selector to the desired channel.
- 2 When [TX/BUSY] lights up in green, wait until the channel is clear before transmitting.
- 3 After confirming that the channel is clear, push and hold the PTT switch, and speak into the microphone.
 - [TX/BUSY] lights up in red.
 - DO NOT hold the transceiver too close to your mouth or speak too loudly. This may distort the signal.
- 4 Release the PTT switch to return to receive.

Icom offers a variety of options to suit many different operating environments. Some versions cannot use all the options listed below since type approval for the IC-U11 varies between countries. Ask your Icom Dealer which options are available.

BM-71U/E AC BATTERY CHARGER

Desktop charger for rapidly charging the supplied battery pack.

CM-80 BATTERY PACK

7.2 V, 600 mAh battery pack. The same battery pack as that supplied with the transceiver.

EM-49 SPEAKER-MICROPHONE

Combination speaker and microphone that has an alligator clip for attachment to your suit pocket or lapel.

FA-450TA FLEXIBLE ANTENNA

The same antenna as that supplied with the transceiver.

MB-20 BELT CLIP

Rear panel clip for use with a mounting bracket.

MB-22 ALLIGATOR CLIP

Clips to almost anything in a variety of convenient locations. The same clip as that supplied with the transceiver.

MB-24 MOUNTING BRACKET (hanger-type)

Allows you to hang the transceiver from a vehicle door window. An optional MB-20 is required.

MB-25 MOUNTING BRACKET (wall-type)

Allows you to hang the transceiver at a convenient location such as on a wall. An optional MB-20 is required.

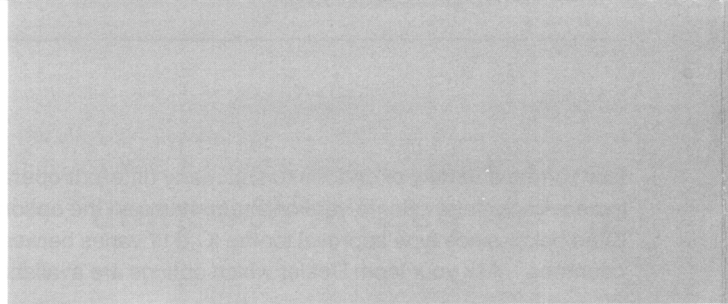
UT-46 DTMF ENCODER UNIT

Generates DTMF codes for control of a repeater or autopatch operation.

UT-54 CTCSS UNIT

Provides a "personalized" squelch system for use with other stations.

Count on us!



A-5165S-1EX
Printed in Japan
Copyright © 1991 by Icom Inc.

Icom Inc.
6-9-16, Kamihigashi, Hirano-ku, Osaka 547, Japan
